



VENTILADORES PORTÁTILES



New Products



High Speed Handheld Fan

Item No.:BP961

Charging Time: ≈4 hours

Materials: ABS+PC+PP

Color:Beige/Camel

Size: 163*58*68mm

Weight: ≈350g

Working Time: ≈3-10 hours

Rated Power:10W

Interface: Type-C

Battery Capacity:4000mAh





Spray Handheld Fan

Item No.:BP983

Charging Time: ≈3 hours

Materials: ABS+PP +PC

Color:White/Pink

Size: 186*94*41mm

Weight: ≈210g

Working Time: ≈1.5-12hours

Rated Power:4W

Interface: Type-C

Battery Capacity:1500mAh



BP989



Refrigeration Handheld Fan

Item No.:BP989

Charging Time: ≈3 hours

Materials: ABS+PC+Silica gel

Color:Beige/Pink

Size:

Weight: ≈140g

Working Time: ≈3.5-10 hours

Rated Power:4W

Interface: Type-C

Battery Capacity:2000mAh





Handheld Fan

Item No.:BP912

Charging Time: ≈3.5 hours

Materials: ABS

Color:White

Size: 42*42*252mm

Weight: ≈115g

Working Time: ≈12-19hours

Rated Power:1W

Interface: Type-C

Battery Capacity:2000mAh



BP953



Handheld Fan

Item No.:BP953

Charging Time: ≈2 hours

Materials: ABS+PC+Silica gel

Color:White/Pink

Size: 190*82*28mm

Weight: ≈96g

Working Time: ≈1.5-8 hours

Rated Power:2.5W

Interface: Type-C

Battery Capacity:1200mAh





Handheld Fan

Item No.:BP916

Charging Time: ≈2 hours

Materials: ABS+PC

Color:Orange/Yellow

Size: 65*42*150mm

Weight: ≈75g

Working Time: ≈1-5hours

Rated Power:2.5W

Interface: Type-C

Battery Capacity:1200mAh





Neck Fan

Item No.:BP981

Charging Time: ≈3 hours

Materials: ABS+PP +Silica gel

Color:White/Blue

Size: 214*175*50mm

Weight: ≈270g

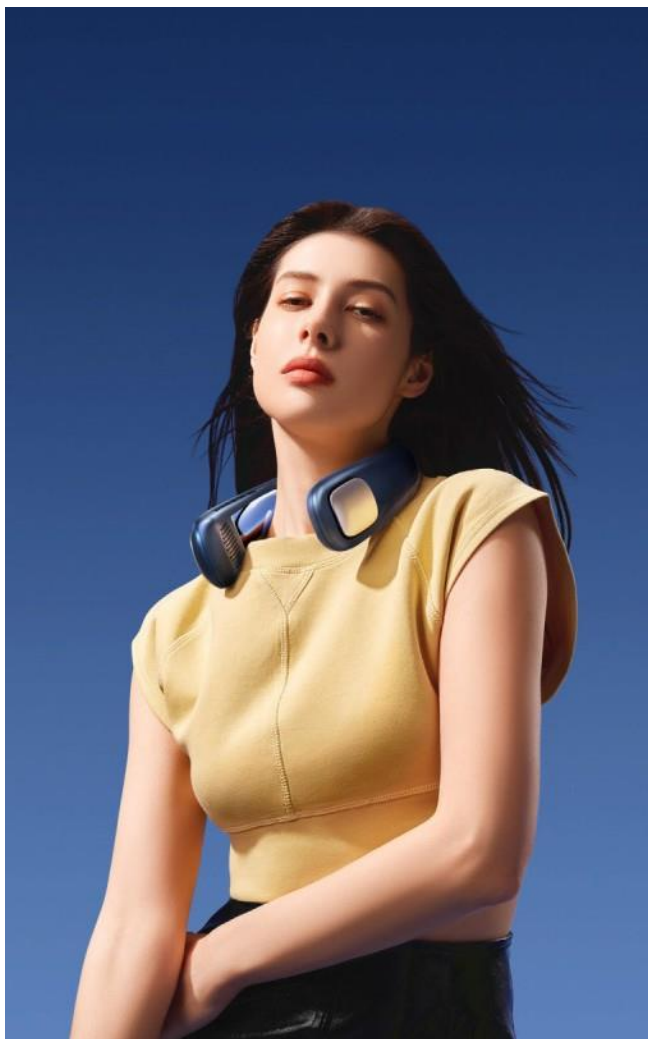
Working Time: ≈3-10 hours

Rated Power:4W

Interface: Type-C

Battery Capacity:3000mAh





Neck Fan

Item No.:BP963

Charging Time: ≈3 hours

Materials: ABS+PP +Silica gel

Color:White/Blue

Size: 174*206*59mm

Weight: ≈253g

Working Time: ≈3.5-10 hours

Rated Power:5W Max

Interface: Type-C

Battery Capacity:2000mAh





Neck Fan

Item No.:BP982

Charging Time: ≈3 hours

Materials: ABS+PP +Silica gel

Color:White/Blue

Size: 214*175*50mm

Weight: ≈280g

Working Time: ≈3-10 hours

Rated Power:4W

Interface: Type-C

Battery Capacity:1800mAh



BP969



Desk Fan

Item No.:BP969

Charging Time: ≈5 hours

Materials: ABS+PP

Color:White/Blue

Size: 204*172*134mm

Weight: ≈550g

Working Time: ≈3.5-10 hours

Rated Power:4W

Interface: Type-C

Battery Capacity:2000mAh



BP985



Waist Fan

Item No.:BP985

Charging Time: ≈5 hours

Materials: ABS+PP +PC

Color:Beige/Blue

Size: 79*69*99mm

Weight: ≈360g

Working Time: ≈3-10 hours

Rated Power:4W

Interface: Type-C

Battery Capacity:4000mAh



BP952



Outdoor Clip Fan

Item No.:BP952

Charging Time: ≈3 hours

Materials: ABS+PP

Color: Camel/White

Size: 278*111*60mm

Weight: ≈227g

Working Time: ≈2-6 hours

Rated Power: 3W

Interface: Type-C

Battery Capacity: 2000mAh



Outdoor Fan

Item No.:BP986

Rated Power:5W Max

Materials: ABS+PP +Silica gel

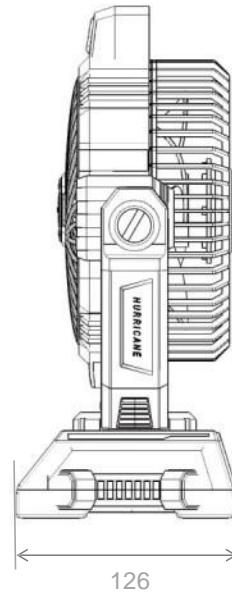
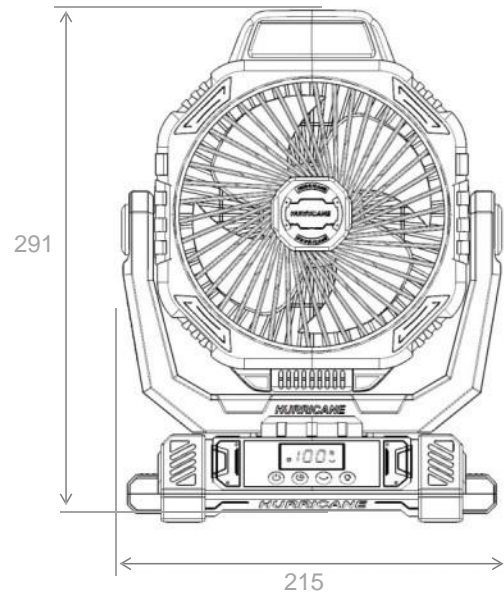
Interface: Type-C

Battery Capacity:8000mAh

Fan Gear:Five gears



Hurricane Outdoor Fan





Fans series



BP602



Hat Fan

Item No.:BP602

Color:Pink Beige

Interface: Type-C

Size: 187*154*48mm

Battery Capacity:2000mAh

Weight: 330g

N.W/G.W :17Kg / 18Kg

Pcs/CTN: 30Pcs

Charging Time: About 3.5hours

Materials: ABS+PP





Neck Hung Fan

Item No.: BP521

Color: White Pink Blue

Materials: ABS+Silicone

Size: 189 *56 *208mm

Interface: Type-C

Weight: 315g

Battery Capacity: 4000mAh

Working Time: About 2~8 hours

N.W/G.W : 16.5Kg / 17.5Kg

Pcs/CTN: 32Pcs



BP533



Handheld Fan

Item No.:BP533

Color:White Pink Blue

Size: 50 *60 *192mm

Interface: Micro

Materials: ABS+PP +POM+Hardware

Weight: 125g

N.W/G.W :14Kg / 15Kg

Pcs/CTN: 100Pcs

Battery Capacity: 1200mAh

Charging Time: About 2 ho





Wand Fan

Item No.: BP26

Color: White Pink Green

Materials: ABS+PP +Silicone

Size: 61*42 *150mm

Interface: Micro

Battery Capacity: 1500mAh

Weight: 85g

Working time: About 5-8 hours

N.W/G.W : 118Kg / 132Kg

Pcs/CTN: 100Pcs





Kiss Of Wind Fan

Item No.:P20S

Color:White Navy-Blue

Materials: ABS+PP

Size: 165 *140 *295mm

Interface: Micro

Battery Capacity:4000mAh

Weight:550g

Working time: About 3.5~12hours

N.W/G.W :13.5Kg / 14.5Kg

Pcs/CTN:16Pcs





Whisper Of Wind Fan

Item No.:P19

Color:White Pink Black

Materials: ABS+PP

Size: 165*140 *290mm

Interface: Micro

Battery Capacity:4000mAh

Weight: 550g

Working time: About 3.5~12hours

N.W/G.W : 13.5Kg / 14.5Kg

Pcs/CTN: 16Pcs





Clip Oscillate Fan

Item No.:BP35

Color:White Pink Green

Materials: ABS+PP +Hardware

Size: 146 *218 *118mm

Interface: Micro

Battery Capacity:3000mAh

Weight: 550g

Working time: About 4-10hours

N.W/G.W : 126Kg / 14Kg

Pcs/CTN: 18Pcs





Clip Fan

Item No.:BP266

Weight: 350g

Materials: ABS+PP +Hardware

Size: 148 *131 *188.7mm

Interface: Micro-USB

Battery Capacity:2000mAh

Charging time: About 3 hours

Color:White Pink Sky-Blue

N.W/G.W :19Kg / 20Kg

Pcs/CTN: 40Pcs



ZW2816



Night Light Fan

Item No.: ZW2816

Color: White Pink Green

Materials: ABS

Size: 150 * 103 * 200mm

Interface: Micro

Battery Capacity: 2000mAh

Weight: 340g

Power: 3.5W

N.W/G.W : 18.8Kg / 19.8Kg

Pcs/CTN: 40Pcs



ZH268



Clip Fan

Item No.: ZH268

Color: Beige Pink Deep-Green

Materials: ABS+PP +Hardware

Size: 113.7 * 77 * 225.7mm

Interface: Type-C

Working time: About 4-6 hours

Weight: 280g

Power: 4W

N.W/G.W : 19Kg / 20Kg

Pcs/CTN: 40Pcs



BP512-B



Baby Carriage Fan

Item No.:BP512-B

Color:White Pink Blue

Materials: ABS+PP

Interface: Type-C

Size: 82 *184 *260mm

Weight: 315g

Battery Capacity:2400mAh

Charging Time: About 4 hours

N.W/G.W :12Kg / 13Kg

Pcs/CTN: 40Pcs



ZH286



Anion Fan

Item No.: ZH286

Color: Deep-Green White

Materials: ABS+PC+Hardware

Size: 230 *230 *882mm

Weight: 1500g

Battery Capacity: 10000mAh

Input V/A: DC5V / 600mA

Auto Revolve Angle: 80°





Bladeless Cooling Fan

Item No.:CX-96

Color:Beige

Interface: Type-C

Size: 120 *100 *270mm

Battery Capacity:4000mAh

Weight: 600g

Materials: ABS+PC

N.W/G.W :9Kg / 11Kg

Pcs/CTN: 15Pcs





Outdoor Fan

Item No.:BP525

Color:White Blue

Interface: Type-C

Size: 183 *137.5*443mm

Battery Capacity:5000mAh

Weight: 715g

N.W/G.W :18Kg / 19Kg

Pcs/CTN: 18Pcs

Charging Time: About 5 hours

Materials: ABS+POM+Hardware





Outdoor Fan

Item No.:BP538

Color:White Blue

Interface: Type-C

Size: 204 *165 *413.5mm

Battery Capacity:8000mAh

Weight: 930g

N.W/G.W :18Kg / 19Kg

Pcs/CTN: 12Pcs

Charging Time: About 5 hours

Materials: ABS+POM+Hardware



Warm Series



BP898



Fan Heater

Item No.:BP898

Color:Beige

Materials: ABS+Nylon

Size: 128*114*300mm

Interface: Plug(By Country)

Gear:Two

Weight: 1157g

Rated Power:1000W

N.W/G.W :15Kg / 18Kg

Pcs/CTN: 12Pcs





Wood Grain Fan Heater

Item No.: BP816

Color: Black

Materials: ABS+Hardware

Size: 128*115*206mm

Interface: Plug (By Country)

Input/Output: 220V~50Hz

Weight: 956g

Power: 1000W

Heating Gear: Two gears(50-60°C)

Timing Gear: Three gears(2/4/6 hours)



BP623



Hand Warmer

Item No.:BP623

Color:White/Blue/Pink

Materials: PP

Size: 205 *160 *95mm

Interface: Double plug

Weight: 350g

Power:100W

N.W/G.W :17.5Kg / 18.5Kg

Pcs/CTN: 40Pcs



BP625



Foot Warmer

Item No.:BP625

Color:White

Materials: ABS+PP

Size: 354 * 126 * 285mm

Interface: Double plug

Power:300W

Weight: 955g

N.W/G.W : 11Kg / 12Kg

Pcs/CTN: 8Pcs



BP823



Hand Warmer

Item No.:BP823

Color:Beige/Pink/Orange

Materials: ABS+PC+Aluminium alloy

Gear:Four gears(45°C/50°C/55°C/60°C)

Size: 67 *30 *101mm

Interface: Type-C+USB-A

Weight: 148g

Power:6W

N.W/G.W :12Kg / 13Kg

Pcs/CTN: 60Pcs





Fluorite Hand Warmer

Item No.:BP13

Color:Pink Matcha-Green

Weight: 230g

Size: 43 *30 *34mm

Interface: Type-C

Battery Capacity:5000mAh

Working time: About 4-8 hours

Materials: ABS+PC+Aluminum Alloy

N.W/G.W : 16Kg / 17Kg

Pcs/CTN: 60Pcs





Hand Warmer

Item No.:BP15

Color:Pink Matcha-Green Khaki

Weight: 390g

Size: 88.5*88.5*38mm

Interface: Type-C

Battery Capacity:10000mAh

Working time: About 6-10 hours

Materials: ABS+PC+Aluminum Alloy

N.W/G.W : 15Kg/16Kg

Pcs/CTN: 40Pcs





Hand Warmer

Item No.:BP12

Color: White Pink Matcha-Green

Weight: 390g

Size: 106 *73 *31.5mm

Interface: Type-C

Battery Capacity:10000mAh

Working time: About 6-10hours

Materials: ABS+PC+Aluminum Alloy

N.W/G.W : 15Kg/16Kg

Pcs/CTN: 40Pcs



BF153



Hand Warmer

Item No.: BF153

Color: Red Deep-Green Navy-Blue

Weight: 215g

Size: 115*53.9*28.9mm

Interface: Type-C

Battery Capacity: 5000mAh

Working time: About 4-8 hours

Materials: ABS+Aluminum Alloy

N.W/G.W : 15Kg /16Kg

Pcs/CTN: 60Pcs



Life Series





Mini Shoe Dryer

Item No.:BP913

Color:Beige

Materials: ABS+Nylon

Size: 148*66*148mm

Interface: IEC 60320 C7 Connector

Gear:Two gears(50°C/60°C)

Weight: 430g

Method: Ozone Sterilization

N.W/G.W :16Kg / 17Kg

Pcs/CTN: 30Pcs





Waist Warm Massager

Item No.:BP517

Color:White Pink

Materials: ABS+PC

Size: 200 *94 *43mm

Interface: Type-C

Light Wavelength: 660nm

Weight: 340g

Capacity:5000mAh

N.W/G.W :17.5Kg / 18.5Kg

Pcs/CTN: 30Pcs





Neck Warmer

Item No.:BP632

Color:Beige Pink

Materials: ABS+Silica gel

Size: 140 *59 *196mm

Interface: Type-C

Gear:Four

Weight: 253g

Capacity:4000mAh

N.W/G.W :12.5Kg / 13.5Kg

Pcs/CTN: 36Pcs





SpaceSaucer Cup Warmer

Item No.:BP618

Color:Brown/Pink/Green

Materials: ABS+Hardware

Size: 185.5 *82 *119mm

Interface: Double plug

Power:20W

Weight: 277.5g

N.W/G.W : 17Kg / 18Kg

Pcs/CTN: 40Pcs





Cup Warmer

Item No.:BP213

Color:Deep-Green Pink

Materials: ABS+Hardware

Size: 128 *120 *25mm

Interface: Double plug

Weight: 226g

Power:20W

Control mode: Touch control

N.W/G.W : 16Kg / 17Kg

Pcs/CTN: 50Pcs





Gemini Lint Remover

Item No.: HZ198

Product Size: 116*69*171mm

Gear: Four gears

Rated Power: 2.5W

Working Time: 50-60 minutes

Product Weight: ≈268g

Materials: ABS +Stainless steel

Interface: Type-C

Charging Time: ≈1hour

Color: Beige/Pink/Black





Lint Remover

Item No.:HZ298

Product Size: 150*58*72mm

Gear:Four gears

Battery Capacity:400mAh

Working Time: 30-40 minutes

Product Weight: ≈134g

Materials: ABS +Stainless steel

Interface: Type-C

Charging Time: ≈30 minutes

Color:Beige/Pink/Black



HZ998



Lint Remover

Item No.:HZ998

Product Size: 125*58*72mm

Gear:Four gears

Rated Power: 2.5W

Working Time: 30-40 minutes

Product Weight: ≈123g

Materials: ABS +Stainless steel

Interface: Type-C

Charging Time: ≈30 minutes

Color:Beige/Pink/Green





Humidifier

Item No.:BF143

Color:White Deep-Green

Materials: ABS+PC

Size: 125 * 125 * 149mm

Interface: Type-C

Battery Capacity:2000mAh

Weight: 400g

Water tank capacity:1000ml

N.W/G.W :17Kg / 19Kg

Pcs/CTN: 40Pcs





Humidifier

Item No.: BF13

Color: White Deep-Green

Materials: ABS+PC

Size: 103 * 103 * 150mm

Interface: Type-C

Battery Capacity: 2000mAh

Weight: 346g

Water tank capacity: 900ml

N.W/G.W : 17Kg / 18Kg

Pcs/CTN: 40Pcs





Humidifier

Item No.: BF19

Color: White Deep-Green

Materials: ABS+PC

Size: 165 * 120 * 115mm

Interface: Type-C

Battery Capacity: 2000mAh

Weight: 400g

Water tank capacity: 1L/ 2L

N.W/G.W : 16.2Kg / 17.2Kg

Pcs/CTN: 40Pcs





Humidifier

Item No.:BP8

Color:White Pink

Materials: ABS+PC

Size: 130*130 *100mm

Interface: Micro

Battery Capacity:2000mAh

Weight: 300g

Water tank capacity:780mL

N.W/G.W : 11Kg / 12Kg

Pcs/CTN: 30Pcs





Humidifier

Item No.:BP3

Color:White Pink

Materials:ABS+PC+Silicone

Size: 130 *130 *108mm

Interface:Micro

Battery Capacity:2000mAh

Weight:350g

Water tank capacity:780mL

N.W/G.W :12Kg / 13Kg

Pcs/CTN:30Pcs





Humidifier

Item No.:BP3s

Color:White Pink

Materials: ABS+PC+Silicone

Size: 75 *75 *149mm

Interface: Micro

Battery Capacity:800mAh

Weight: 155g

Water tank capacity:350mL

N.W/G.W :12.5Kg / 13.5Kg

Pcs/CTN: 60Pcs





Milk Humidifier

Item No.:BP10

Color:White Pink

Materials: ABS+PC+Silicone

Size: 78 *78 *155mm

Interface: Micro

Battery Capacity:1200mAh

Weight: 190g

Water tank capacity:270mL

N.W/G.W :10.5Kg / 11.5Kg

Pcs/CTN: 50Pcs



Creative
THANKS.

